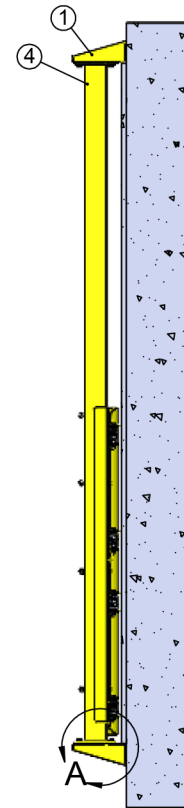
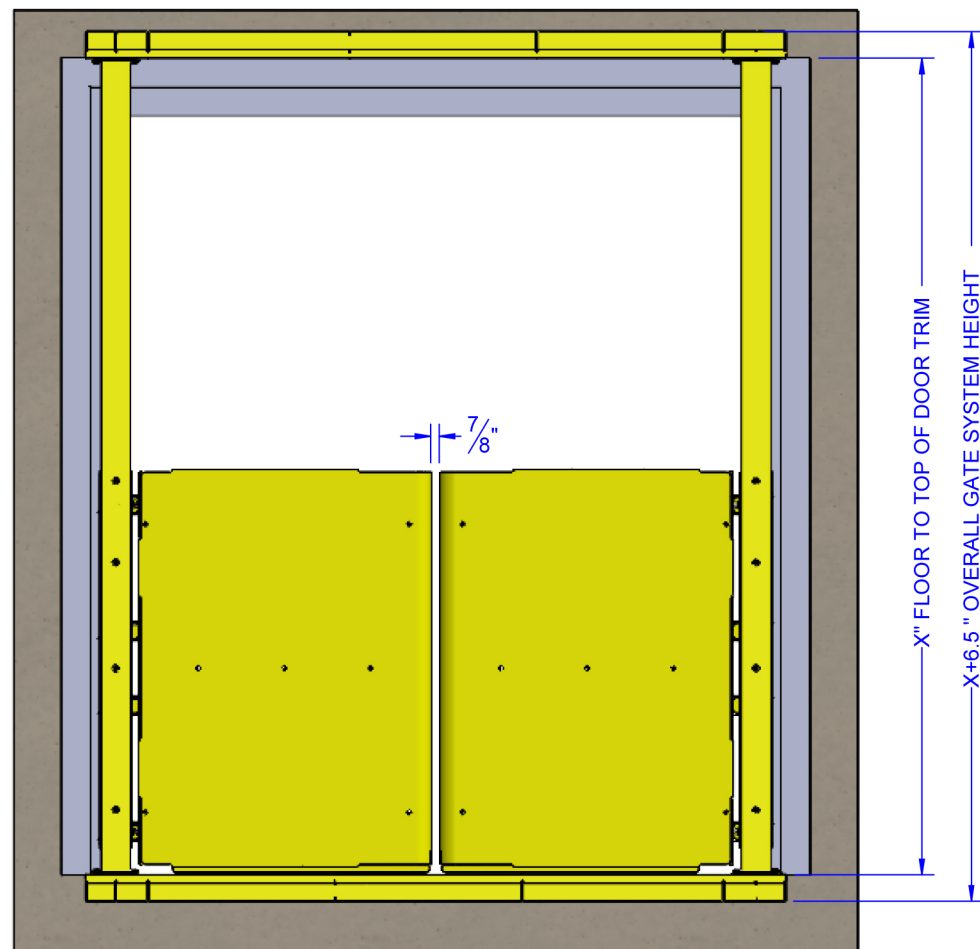
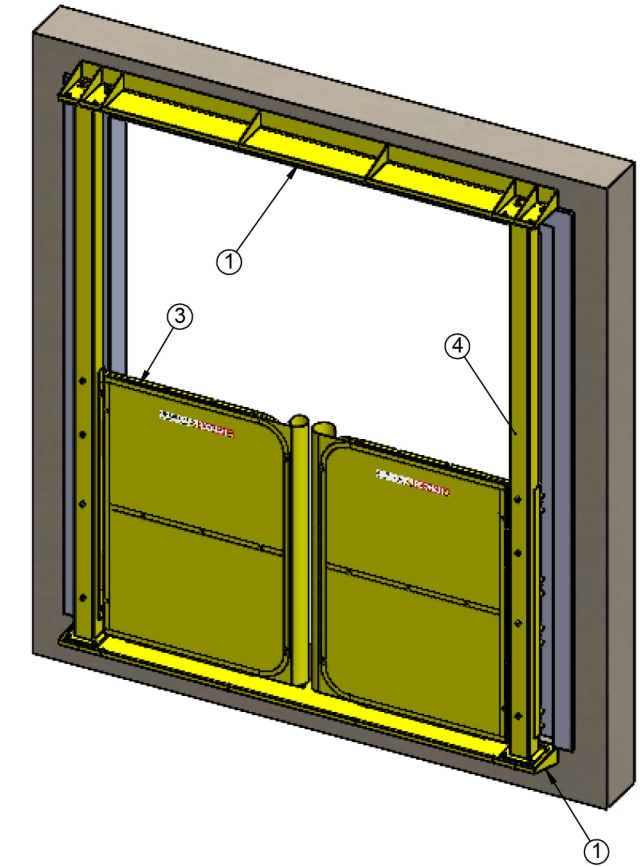
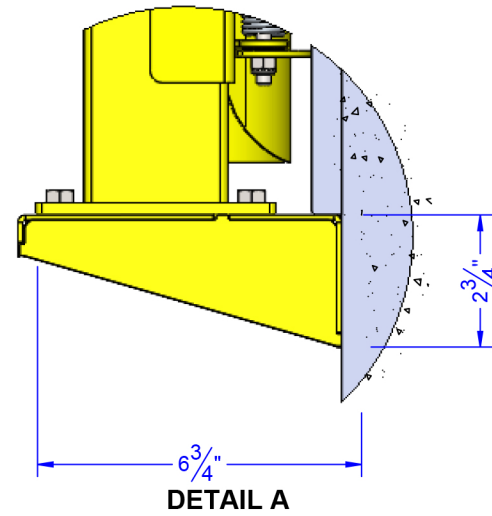
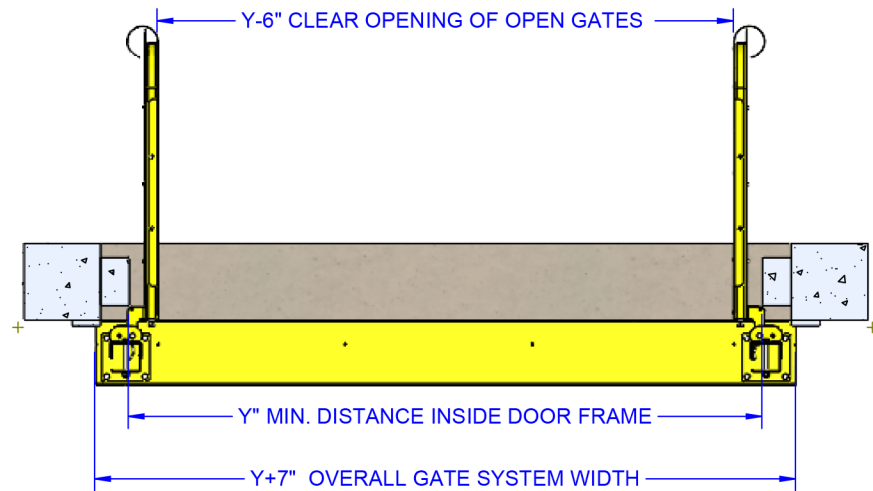


MODEL: MPLG-CUSTOM

B.O.M. IS FOR QTY - 1

ITEM NO.	PART NO.	DESCRIPTION	Qty	U/M
1	512385-10848301	MPLG CUSTOM FACE MNT BRKT	2	EA
2	501947	WASHER;FLAT 3/8"ZN	16	EA
3	MPLG60-P	PALLET GATE-P-60"	1	EA
4	SPRTWELD-10848301	SUPPORT TUBE WELDMENT	2	EA
5	500400	BOLT;HEX3/8"16X1GR5ZN	16	EA
6	501118	NUT;NYLOCK 3/8"16 GR8ZN	16	EA



NO ANCHORS OR ANCHOR HOLES PROVIDED IN FRAME. DESIGN OF ANCHORAGE AND VERIFICATION OF EXISTING STRUCTURE'S ABILITY TO WITHSTAND ALL LOADS TRANSFERRED BY GATE IS BY OTHERS.

APPROVER IS REQUIRED TO ONE BOX ONLY AND SIGN

APPROVED; PROCEED WITH FABRICATION _____

APPROVED WITH CORRECTIONS; PROCEED WITH FABRICATION _____

REVISE AS NOTED & RESUBMIT _____

REJECTED _____

Signature _____ Date _____

Printed Name _____

REV.	REVISIONS	DATE	REVISED BY	FINISH: SHERWIN WILLIAMS POLYESTER POWDER COAT TOP COAT COLOR - SAFETY YELLOW	DOOR/OPENING NAME:	SN:	SO #:	QTY: 1
					SHIP TO:	DWG STATUS: APPROVAL DRAWING SUBMITTAL 1		DATE: 1/24/2022
					SOLD TO:	ESTIMATED PART/ASSY WEIGHT:		SCALE: NTS
					PROJECT NAME:	DWG #:		DWG BY: nlawonn
					CUST PO #:			CHECKED: /

