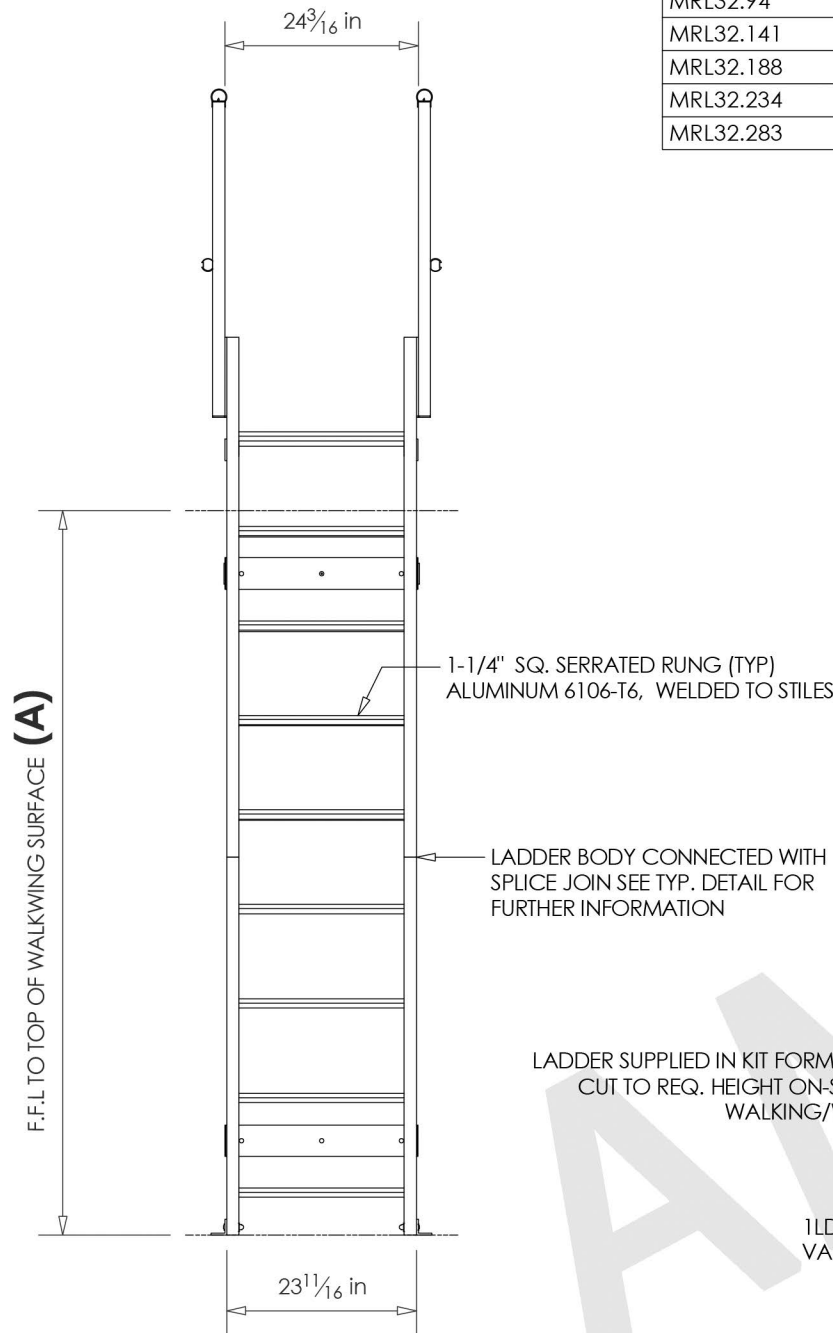
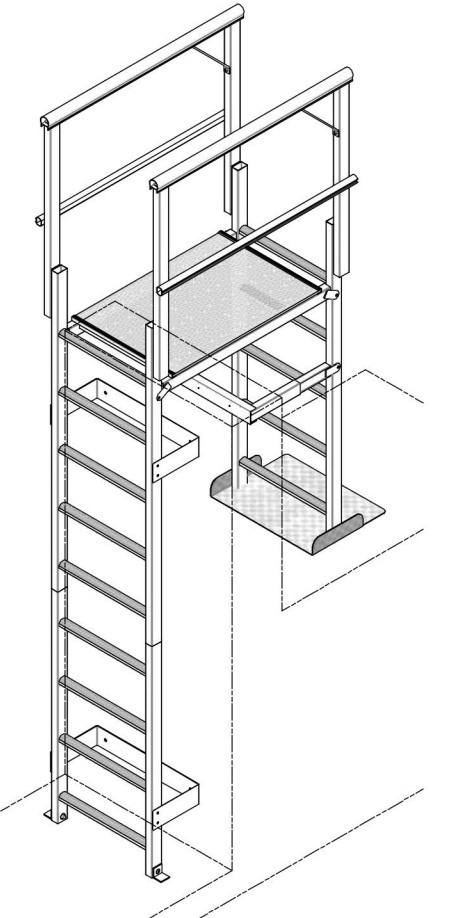
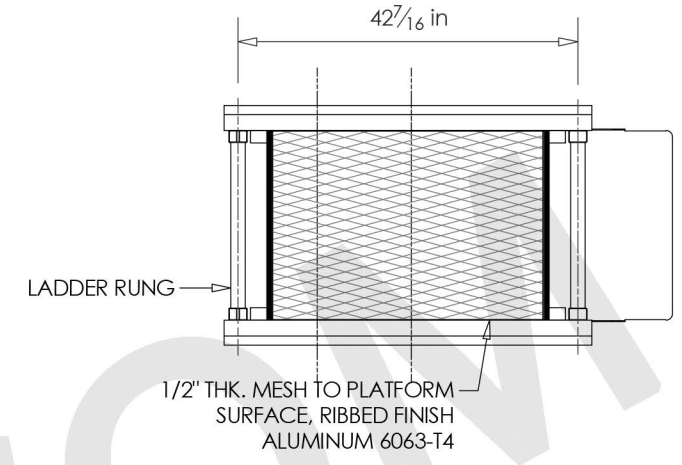
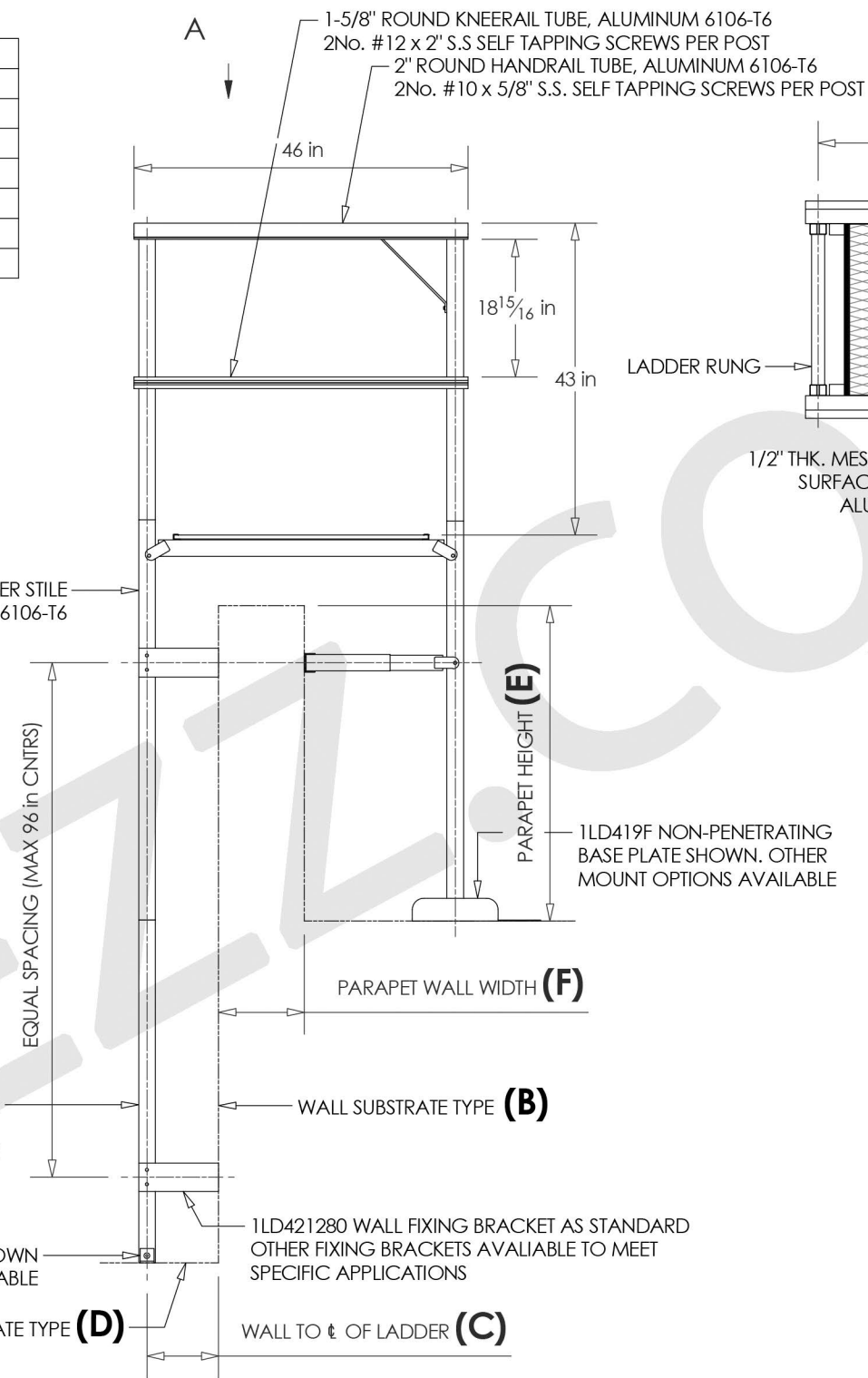


PROJECT REF: \_\_\_\_\_  
 CONTRACTOR: \_\_\_\_\_  
 APPROVED BY: \_\_\_\_\_  
 SIGN HERE: \_\_\_\_\_

AVAILABLE LADDER KITS	
CODE	HEIGHTS UP TO
MRL32.47	47" (3' 11")
MRL32.94	94" (7' 10")
MRL32.141	141" (11' 9")
MRL32.188	188" (15' 8")
MRL32.234	234" (19' 6")
MRL32.283	283" (23' 7")



FRONT ELEVATION ( 1 / 24 )

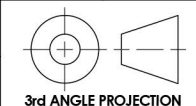


AUX A ( 1 / 24 )

- A** \_\_\_\_\_  
LOWER LEVEL TO UPPER LEVEL WALKING/WORKING HEIGHT
- B** \_\_\_\_\_  
WALL SUBSTRATE TYPE (I.E. BRICK, CONCRETE BLOCK, METAL SLIDING, ETC)
- C** \_\_\_\_\_  
WALL TO CENTRELINE OF LADDER. OSHA 1910.23(D)(2) STATES THAT THE DISTANCE FROM THE CENTRELINE OF THE RUNGS TO THE NEAREST PERMANENT OBJECT SHALL NOT BE LESS THAN 7". OSHA ALSO REQUIRES A PLATFORM IF THE DISTANCE EXCEEDS 12'. PLEASE STATE WIDTH OF ANY GUTTER OR OBJECT (E.G. GUTTER 9" WIDE).
- D** \_\_\_\_\_  
FLOOR SUBSTRATE TYPE (I.E. ROOF MEMBRANE, CONCRETE, METAL, ROOF, ETC.)
- E** \_\_\_\_\_  
INTERNAL PARAPET WALL HEIGHT
- F** \_\_\_\_\_  
PARAPET WALL WIDTH

REV	DATE	BY	APP	COMMENTS
1	29/11/2017	RP	WL	ISSUED FOR RELEASE

DRN: RP	DATE: 9/10/2017	SCALE 1 / 24	DIMENSION TOLERANCES UNLESS NOTED OTHERWISE	A-MEZZ INDUSTRIAL STRUCTURES, INC. PO BOX 1389 HUDSON, OH 44236 USA Tel:- +1 330 650 5561 Fax:- +1 866 550 5745 Email:- info@amezz.com Web:- www.amezz.com	THIS DRAWING IS THE PROPERTY OF MANUFACTURER AND SHALL NOT BE COPIED OR DISCLOSED TO A THIRD PARTY IN WHOLE OR PART WITHOUT THE CONSENT IN WRITING.	DESCRIPTION VERTICAL LADDER WITH 3ft PARAPET PLATFORM		SHT # 1 / 1
CHK: WL	DATE: 29/11/2017					MATERIAL	FINISH	SIZE B
APP: RP	DATE: 29/11/2017					DWG No. MRL32	FAB No.	REV 1



3rd ANGLE PROJECTION