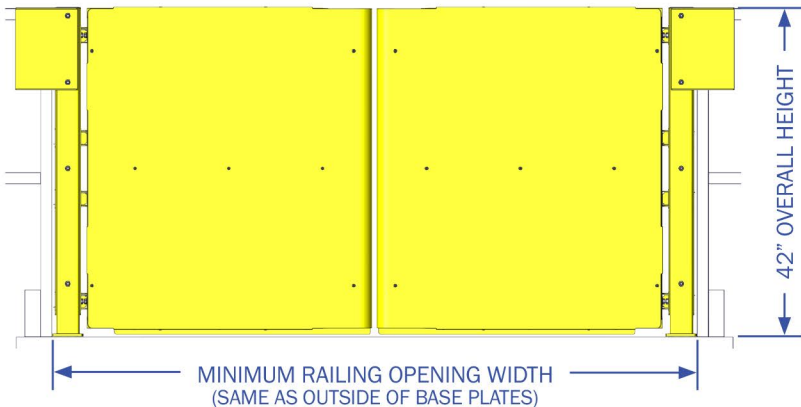


**A-MEZZ MEZZANINE GATE  
MEASURING GUIDE & ORDER FORM**



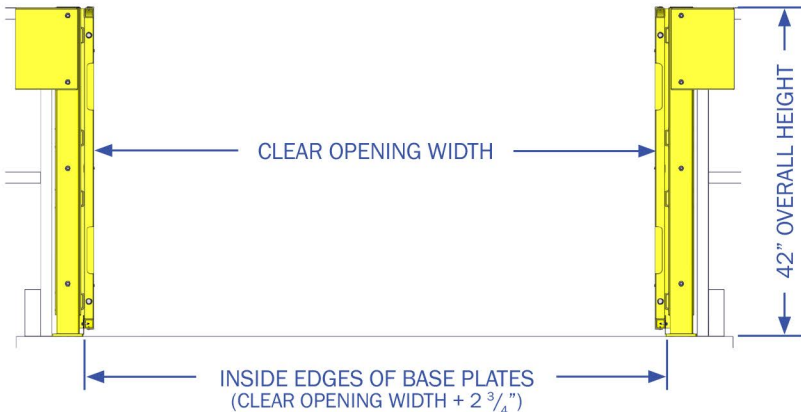
10221 GLOUCESTER ROAD  
STREETSBORO, OH 44241  
330-650-5561  
INFO@AMEZZ.COM

*Pallet Gate*



MINIMUM RAILING OPENING WIDTH  
(SAME AS OUTSIDE OF BASE PLATES)

**FRONT VIEW CLOSED**



INSIDE EDGES OF BASE PLATES  
(CLEAR OPENING WIDTH + 2 3/4")

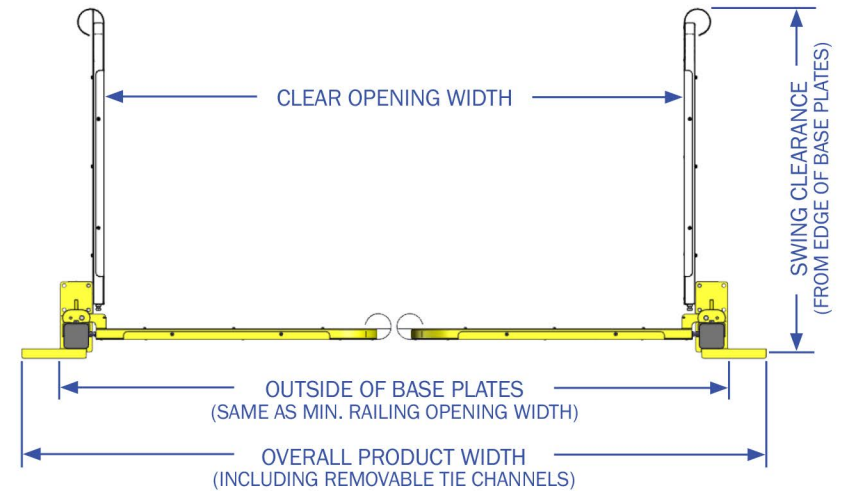
**FRONT VIEW OPEN**

\*For orders or product inquiries please email [info@amezz.com](mailto:info@amezz.com)

GATE MODEL/SIZE	GATE MODEL/SIZE				
	MODEL	CLEAR OPENING WIDTH	SWING CLEARANCE	MIN. RAILING OPENING WIDTH	OVERALL PRODUCT WIDTH
GATE MODEL/SIZE	MPG-60-P	60"	36-1/2"	70-3/4"	80"
	MPG-60-SS	60"	36-1/2"	70-3/4"	80"
	MPG-72-P	72"	42-1/2"	82-3/4"	92"
	MPG-72-SS	72"	42-1/2"	82-3/4"	92"
	MPG-96-P	96"	54-1/2"	106-3/4"	116"
	MPG-96-SS	96"	54-1/2"	106-3/4"	116"

**FINISH OPTION**

P	Powder Coat Safety Yellow
SS	Stainless Steel



**TOP VIEW**