

A-MEZZ — PAIRED MLG LADDER SAFETY GATE

I. GENERAL INFORMATION

This manual contains information regarding installation, operation, and maintenance of the Paired MLG Ladder Safety Gate (P, G, SS). Operation in a manner other than intended could result in damage or less than acceptable performance, for which the manufacturer will not be held responsible.

This product is manufactured to specific guidelines. Unauthorized alteration in any way will result in voiding Factory Warranty, and may cause product to fail with potential serious consequences.

II. STORAGE PRIOR TO INSTALLATION OF PRODUCT

- A. Store materials in a dry, ventilated location. If outdoor storage is required, block materials and tarp in a tent-like arrangement, elevated above the product with open sides to allow airflow.

III. INSTALLATION SITE PREPARATION

- A. Clear work area of any debris.
- B. Ensure you have the necessary tools available.
- C. See recommended tool list next to specific installation instruction.

IV. PRE-INSTALLATION SAFETY PRECAUTIONS

- A. Ensure opening is clear of all obstructions through the entire proposed travel of the safety gate during operation.
- B. Comply with all OSHA Safety Regulations and/or company safety policies when installing.
- C. Install only on railing/surfaces capable of supporting all loading. Structural analysis of mounting surface is the responsibility of the owner.

V. OPERATION

- A. When ascending a ladder/entering the elevated platform:
 1. When the gate opening is reached, obtain a firm grip on the railing or ladder.
 2. Step through gate.
 3. **DO NOT USE THE LADDER SAFETY GATE AS A GRAB SURFACE WHILE ASCENDING THE LADDER.**
- B. When descending a ladder/exiting the elevated platform:
 1. Open the Ladder Safety Gate and obtain firm grip on railing.
 2. Maneuver yourself into the proper ladder descending position. **DO NOT USE THE LADDER SAFETY GATE AS A GRAB SURFACE WHILE DESCENDING THE LADDER.**
 3. Always maintain a firm grip on the railing or ladder.

VI. INSPECTION AND MAINTENANCE

- A. Fasteners and Mechanical Connections:
 1. All fasteners must be in place and adjusted to their original design standards. Replace any damaged components.
 2. Check for broken springs periodically to ensure proper functionality. Replace as necessary.
- B. Finishes: Touch up and repair finishes as necessary.
- C. Label: Replace if missing or illegible.

!WARNING!: Ensure mounting surface is capable of supporting all loading (by others).



NOTICE: Unauthorized modification of this product voids the factory's Limited Product Warranty. Accordingly, you can expect any request for warranty repair to be charged to you, if it requires service after modification. Authorized modifications, received in writing from factory, as long as the modification is accomplished strictly in accordance with factory's instructions, does not void warranty. To request product modifications contact A-Mezz.

A-MEZZ — PAIRED MLG LADDER SAFETY GATE INSTALLATION

INSTALLATION – SUPPORT CHANNEL

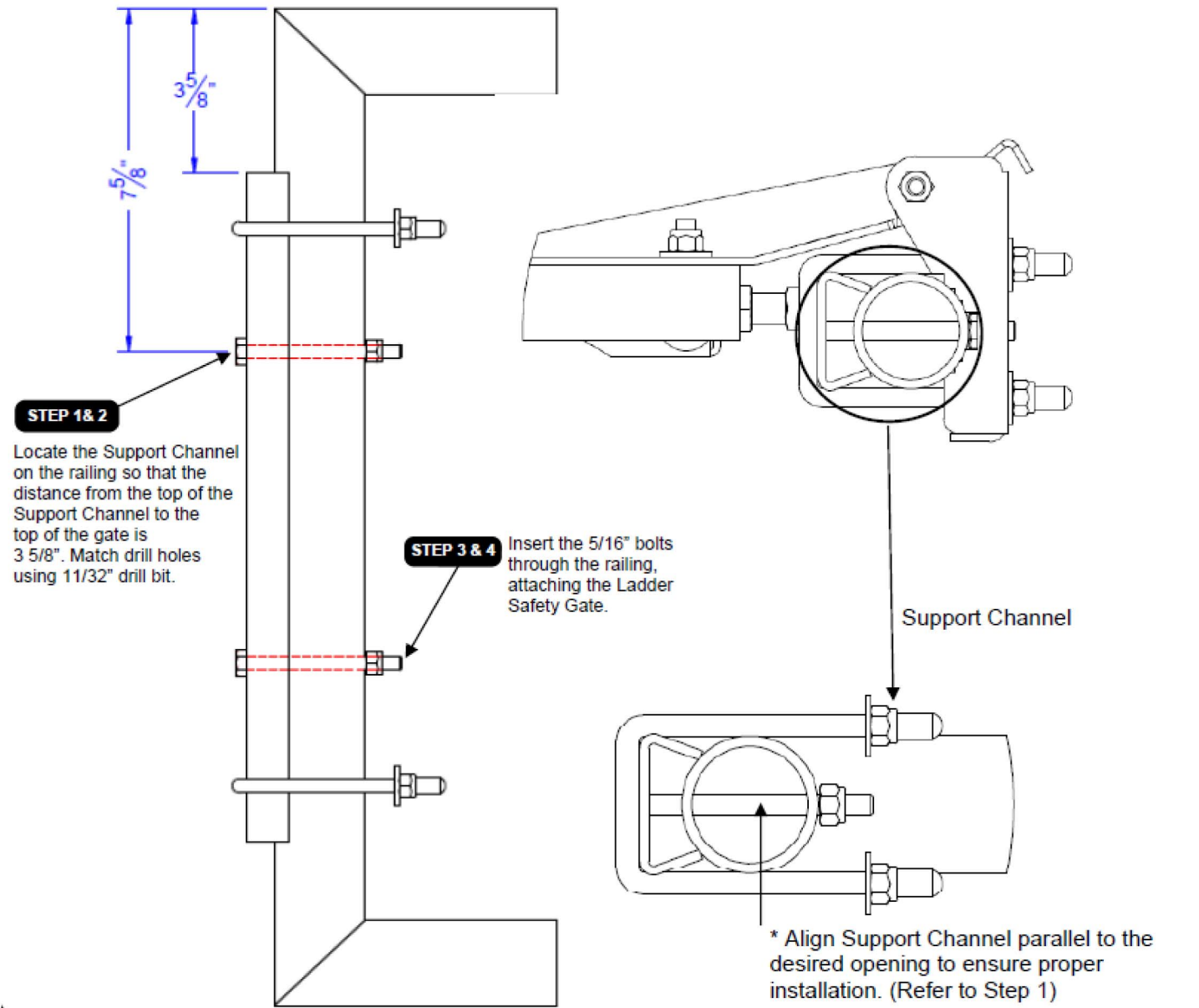
See *Illustration 1*.

1. Locate the Support Channel on the railing so that the distance from top of the Support Channel to the desired top of the gate is $3\frac{5}{8}$ "*.
2. Match drill holes into the railing using a $\frac{11}{32}$ " drill bit. (Holes in the Support Channel will align with the outside vertical holes on hinge brackets.)
3. Insert the $\frac{5}{16}$ " bolts through the railing, loosely securing the support channel to the railing.
4. Loosely attach the Ladder Safety Gate to the railing with the $\frac{5}{16}$ " bolts, then install the squared U-Bolt. Do not tighten, additional adjustment may be required.
5. Repeat steps 1-4 for the other side.

Recommended Tools

- (1) $\frac{1}{2}$ " deep-well socket and ratchet
- (1) Wrench Set
- (1) Electric Drill
- (1) $\frac{11}{32}$ " drill bit
- (1) Measuring Tape

ILLUSTRATION 1. INSTALLATION - SUPPORT CHANNEL AND MOUNTING BLOCK



A-MEZZ — PAIRED MLG LADDER SAFETY GATE INSTALLATION

INSTALLATION ON A 2" O.D. RAILING

See *Illustration 2*.

- Adjust hoop/gate arms to proper opening width by selecting any combination of two of the three carriage bolt holes at connection point for hinge plate and hoop/gate arms.
- Operate the gates through full swing range to check for proper alignment.
- Tighten Square U-Bolts and Support Channel bolts in final position. Install plastic cover protective thread caps (optional).

NOTICE: A-Mezz recommends to leave a 1" clearance between the gates for typical gate operation.

ILLUSTRATION 2. INSTALLATION – STANDARD PIPE RAILING

CRITICAL VERIFY INSTALLATION

- Ensure all bolts/nuts are tight.
- Operate gate to ensure free movement.

